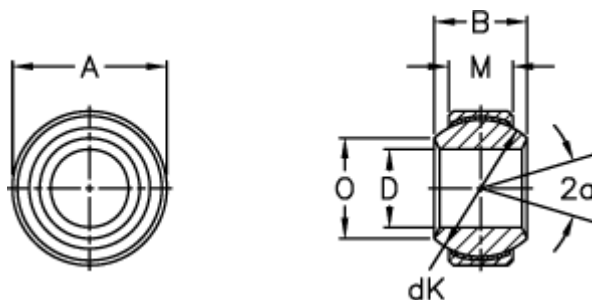


Article number: 03507017

Description: Fluro Rod end GE 17FW

## Measures



A	= 35 0 -0,011	Tilt angle = 19
B	= 20	Weight = 82
D	= 17 0 -0,008	
dK	= 29	
Dynamic load C (kN)	= 31.5	
M	= 12	
O	= 21	
Static load C0 (kN)	= 78	